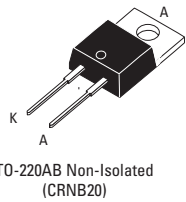
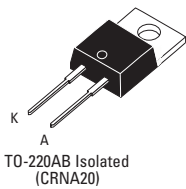


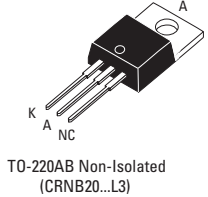
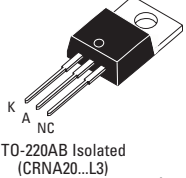
**Applications**

- Input Rectification
- Low Frequency Freewheel
- Battery Isolation

- Suitable for General Purpose Applications
- Isolated and Non-Isolated Tab
- Alternistor/No Snubber Type
- $V_R/V_{RRM}$  400, 600, 800, 1000V



3 Pin Package (L3 suffix)



**Absolute Maximum Ratings**

	CONDITIONS	SYMBOL	RATING
RMS On-State Current (full sine wave)	$T_c = 95^\circ\text{C}$ $T_c = 80^\circ\text{C}$	TO-220AB TO-220AB Iso $I_{F(RMS)}$	20A
Average On-State Current	$T_c = 95^\circ\text{C}$ $T_c = 80^\circ\text{C}$	TO-220AB TO-220AB Iso $I_{F(AV)}$	12.7A
Non Repetitive Surge Peak On-State Current (Full Cycle, $T_j$ Initial = $25^\circ\text{C}$ )	F = 50 Hz F = 60 Hz	$I_{FSM}$	255A 300A
$I^2t$ Value for fusing	$t_p = 10$ ms	$I^2t$	374A <sup>2</sup> s
Storage Temperature Range		$T_{stg}$	-40 to +150°C
Operating Junction Temperature Range		$T_j$	-40 to +125°C
Isolation Voltage (CRNA Series only)		$V_{ISO}$	2500 $V_{RMS}$

**Electrical Characteristics**

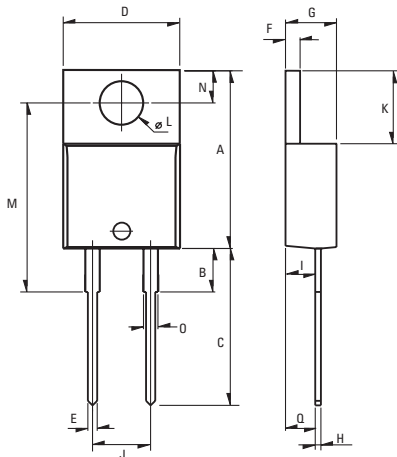
$V_{FM}$ @ 20A	$T_j = 25^\circ\text{C}$	1.1V
$I_{RM}$ @ $V_R = V_{RRM}$	$T_j = 25^\circ\text{C}$	0.1mA
$I_{RM}$ @ $V_R = V_{RRM}$	$T_j = 125^\circ\text{C}$	1.0mA

**Thermal Resistances**

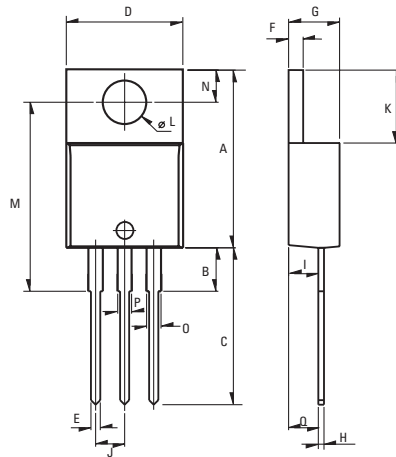
	TO-220AB	SYMBOL	RATING
Junction to Case (AC)		$R_{th(j-c)}$	1.8°C/W
Junction to Case (AC)	TO-220AB Isolated	$R_{th(j-c)}$	2.7°C/W
Junction to Ambient	TO-220AB	$R_{th(j-a)}$	60°C/W
Junction to Ambient	TO-220AB Isolated	$R_{th(j-a)}$	60°C/W

**GENERAL NOTES**

1. All parameters at 25 degrees C unless otherwise specified.



Weight: 2.3g (0.08 oz)



Weight: 2.3g (0.08 oz)

**Dimensions - 2 Pin**

REF.	Millimeters			Inches		
	Min.	Typ.	Max.	Min.	Typ.	Max.
A	15.24		15.75	0.6		0.62
B		3.23			0.127	
C	12.78		13.79	0.503		0.543
D	9.96		10.36	0.392		0.408
E	0.69		0.94	0.027		0.037
F	1.22		1.32	0.048		0.052
G	4.62		4.83	0.182		0.19
H	0.46		0.61	0.018		0.024
I	2.49		2.84	0.098		0.112
J	2.39		2.69	0.094		0.106
K	6.48		6.88	0.255		0.271
L	3.78		3.89	0.149		0.153
M	15.49	16	16.51	0.61	0.63	0.65
N	2.59		2.9	0.102		0.114
O	0.99		1.55	0.039		0.061
Q		2.67			0.105	

**L3 Dimensions - 3 Pin**

REF.	Millimeters			Inches		
	Min.	Typ.	Max.	Min.	Typ.	Max.
A	15.24		15.75	0.6		0.62
B		3.23			0.127	
C	12.78		13.79	0.503		0.543
D	9.96		10.36	0.392		0.408
E	0.69		0.94	0.027		0.037
F	1.22		1.32	0.048		0.052
G	4.62		4.83	0.182		0.19
H	0.46		0.61	0.018		0.024
I	2.49		2.84	0.098		0.112
J	2.39		2.69	0.094		0.106
K	6.48		6.88	0.255		0.271
L	3.78		3.89	0.149		0.153
M	15.49	16	16.51	0.61	0.63	0.65
N	2.59		2.9	0.102		0.114
O	0.99		1.55	0.039		0.061
P	0.99		1.55	0.039		0.061
Q		2.67			0.105	

**Part Number Designation**

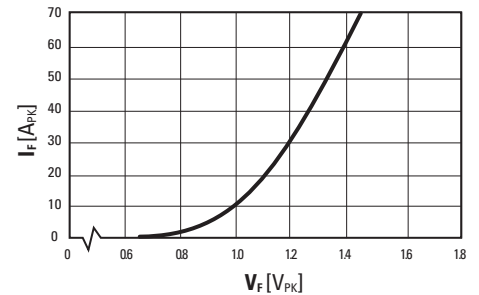
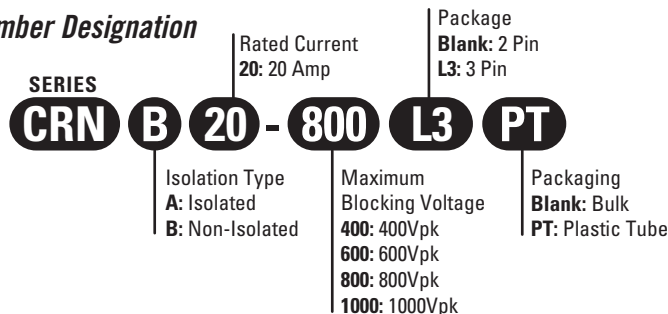


Fig. 1: On-state current versus on-state voltage (instantaneous values)

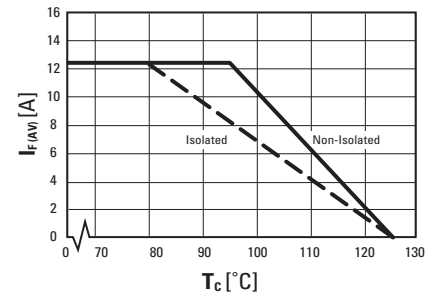


Fig. 2: Average on-state current versus case temperature

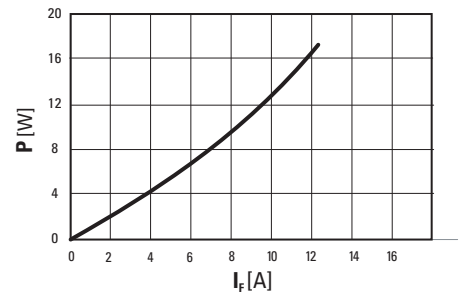


Fig. 3: Power dissipation versus average on-state current

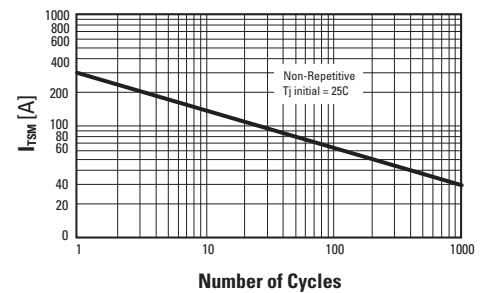


Fig. 4: Non-repetitive surge peak on-state current versus number of cycles.

ISO9001 CERTIFIED

**Approvals**

UL Recognized Component - E72445 (CRNA Series)

**USA**  
 Sales & Tech Support (866) 258-5057  
 Email: sales@cynergy3.com  
 Cynergy3 Components  
 2320 Paseo de las Americas, Suite 104  
 San Diego, CA 92154

**EUROPE - UK**  
 Telephone +44 (0) 1202 897969  
 Fax +44 (0) 1202 891918  
 Email: sales@cynergy3.com  
 Cynergy3 Components Ltd.  
 7 Cobham Road  
 Ferndown Industrial Estate  
 Wimborne, Dorset BH21 7PE

**ASIA - Thailand**  
 Telephone +66 (0)2 665 2517  
 Fax +66 (0)2 665 2588  
 Cynergy 3 Components, Asia  
 18/8 Fico Place 12th Floor  
 Soi Sukhumvit 21 (Asoke)  
 Klongtoey Nua, Wattana  
 Bangkok, Thailand 10110